

5

10

15

20

25

PRODUCT NAME : HK-8222-895-1

1. SPECIFICATION :

- 1.SENSOR SIZE
- 2.WAVELENGTH
- 3.FOCAL LENGTH (EFL)
- 4.F/NO (INFINITE)
- 5.BACK FOCAL LENGTH
- 6.FLANGE BACK LENGTH
- 7.FIELD OF VIEW (DIAGONAL)
- 8.OPTICAL DISTORTION (DIAGONAL)
- 9.Thread Size
- 10.Element
- 11.WORKING TEMPERATRUE
- 12.STORAGE TEMPERATRUE
- 13.IR FILTER SPEC:(Built-in,Others available)

1/2.3"

$\lambda = 400-700\text{nm}(\text{COLOR})$

$f = 3.0 \text{ mm}$

$F/\text{NO} = 2.5$

$\text{BFL} = 6.55 \text{ mm}$

$\text{FB} = 4.35 \text{ mm}$

$D = 17.0^\circ \quad H = 130^\circ$

$< -78\%$

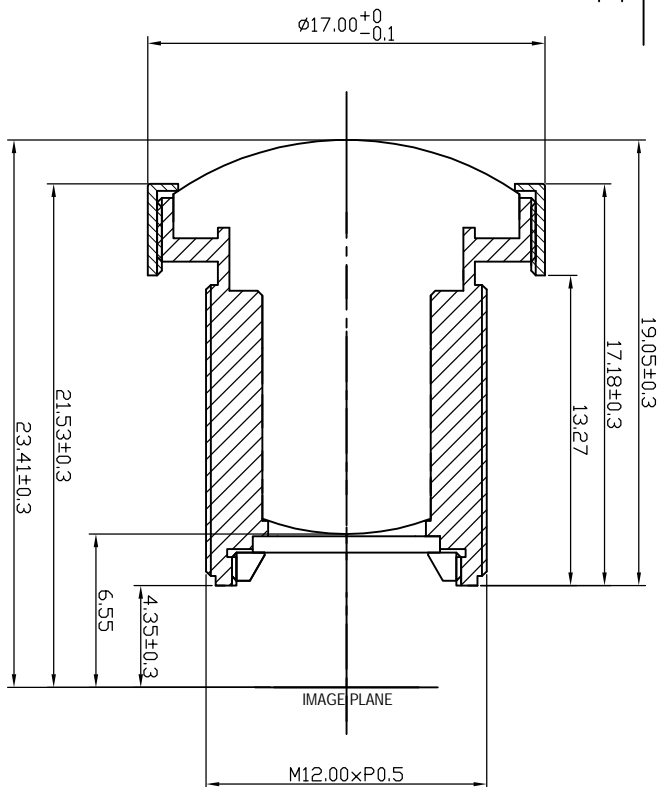
M12XP0.5

7G+HR

-10C--60C

-20C--80C

2. OPTICAL LAYOUT : Scale 4 : 1



REV	DESCRIPTION	DATE	NAME
①			
②			
③			
④			

NAME	HK-8222-895-1	SCALE	4:1	DRAWN
VIEW		DATE	20150106	CHECKED
REV	00	BORDER	A4	APPROVED

HK 深圳市光通电子科技有限公司
SHENZHEN HK OPTICAL CO.,LTD

5

10

15

20

25